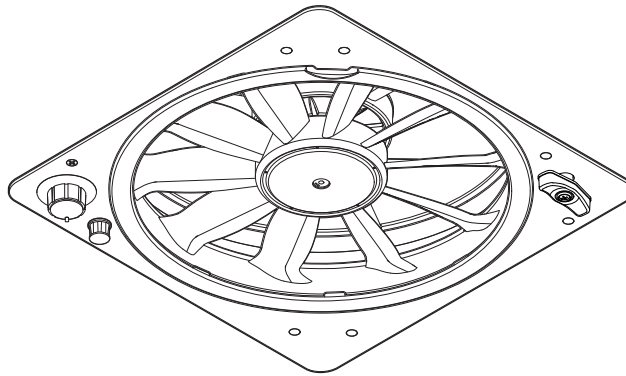


DOMETIC

FAN-TASTIC VENT

FAN



Fan-Tastic Vent™ Fans and Controllers

EN

Fan-Tastic Vent

Installation and Operation Manual

NORTH AMERICAN ADDRESS INFORMATION

USA & CANADA

Service Office
Dometic Corporation
1120 North Main Street
Elkhart, IN 46514

Service Center & Dealer Locations

Visit: www.dometic.com

Read these instructions carefully. These instructions MUST stay with this product.


CONTENTS

1	Explanation of symbols and safety instructions	3
2	General information	3
3	Intended use	4
4	Installation	4
5	Operation	6
6	Maintenance	15

1 EXPLANATION OF SYMBOLS AND SAFETY INSTRUCTIONS


This manual has safety information and instructions to help you eliminate or reduce the risk of accidents, injuries, or property damage.

1.1 Recognize safety information

 This is the safety alert symbol. It is used to alert you to potential physical injury hazards. Obey all safety messages that follow this symbol to avoid possible injury or death.

1.2 Understand signal words

A signal word will identify safety messages and property damage messages, and will indicate the degree or level of hazard seriousness.

 **WARNING** indicates a hazardous situation that, if **not** avoided, could result in death or serious injury.

 **CAUTION** indicates a hazardous situation that, if **not** avoided, could result in minor or moderate injury.

 **NOTICE** is used to address practices **not** related to physical injury but could result in property damage.

 indicates additional information that is **not** related to physical injury or property damage.

1.3 Supplemental directives



Read and follow all safety information and instructions to avoid possible injury or death. Read and understand these instructions before installation or operation of this product. Incorrect installation or operation of this product can lead to serious injury. The installation **must** comply with all applicable local or national codes, including the latest edition of the following standards:

U.S.A.

- ANSI/NFPA70, National Electrical Code (NEC)
- ANSI/NFPA 1192, Recreational Vehicles Code

Canada

- CSA C22.1, Parts I & II, Canadian Electrical Code
- CSA Z240 RV Series, Recreational Vehicles

2 GENERAL INFORMATION

Recommended Hardware and Supplies

No. 8 Self-tapping flat-head screws (3/4" to 1")	Min. 16-gauge stranded copper wire
Gasket or Sealer	Insulated wire connectors

Recommended Tools and hardware

Putty Knife or Scraper	Standard #2 Phillips Screwdriver
Cordless Drill with 1/8" Drill Bit	Pencil or Pen
Straight Edge	Measuring Tape
Waterproof Sealant	Utility Knife
16 #8 self-tapping flat-head screws (3/4"-1")	2 #8 flat-head screws (3/8")

Electrical/wiring information

- A minimum of 16-gauge stranded copper wire must be used.
- Insulated connectors must be used.
- Black wire = positive or fused; white wire = negative or ground.
- Fuse: 4 amp "slo-blo."

3 INTENDED USE

The Fan-tastic Vent™ is intended for use with the recreational vehicle (hereinafter referred to as "RV") for which it is supplied. The Fan-tastic Vent was designed to allow maximum airflow during the operation of vent fans while providing additional protection from the elements.

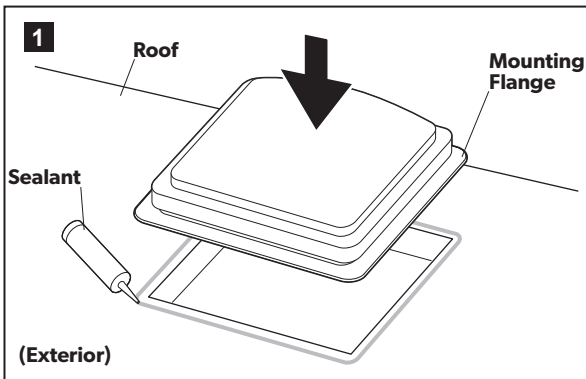
The manufacturer accepts no liability for damage in the following cases:

- Faulty assembly or connection.
- Damage to the product resulting from mechanical influences and excess voltage.
- Alterations to the product without express permission from the manufacturer.
- Use for purposes other than those described in the operating manual.

4 INSTALLATION

⚠ WARNING FALL HAZARD: Vent fans are normally located on the roof of an RV. It is inherently dangerous to climb onto the roof of an RV to perform installation, maintenance, or repairs on a vent fan. Take appropriate precautions when climbing onto the roof of an RV or when working on the roof of an RV. Failure to do so could result in a fall, causing serious injury or death.

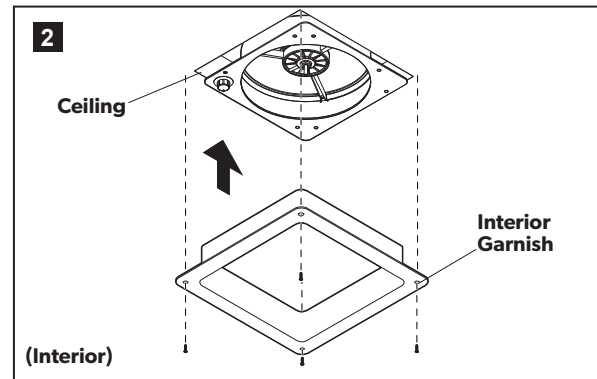
4.1 Vent roof mounting



- Position the vent over the opening in the RV roof.
- Use a gasket or compatible sealant between the mounting-flange bottom and the roof.
- Use 16 no. 8 self-tapping flat-head screws (3/4"–1") to mount the vent to the roof.
- Apply additional sealant over the screws and at the mounting flange where it meets the roof.

i For rubber roofs, use EPDM-compatible roof sealant.

4.2 Fan mounting



- After the ceiling fan has been mounted and wired, install the interior garnish with the screws provided. The garnish may be trimmed for thinner roofs.

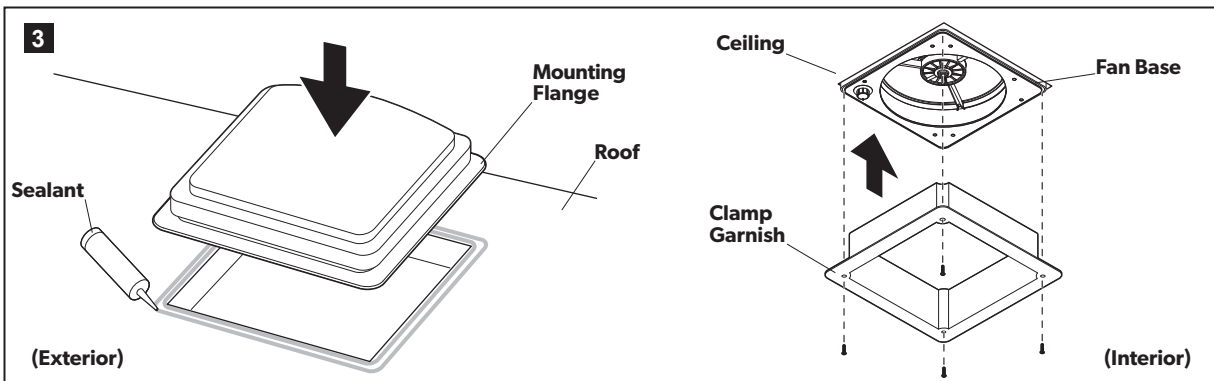
⚠ WARNING SHOCK HAZARD: This product is designed for 12 VDC use only. Do **not** connect the unit to 110 VAC. Failure to follow this instruction could result in death or serious injury.

⚠ CAUTION SHOCK HAZARD: Disconnect the 12 VDC power supply prior to installation. Failure to do so could result in mild-to-moderate injury.

NOTICE DAMAGE HAZARD: The Fan-tastic Vent is designed to run on filtered DC current. Do not connect this unit to unfiltered DC current. Doing so could result in circuit board failure.

- Make all electrical connections to an appropriate 12 VDC power source.

4.3 Clamp-fan mounting



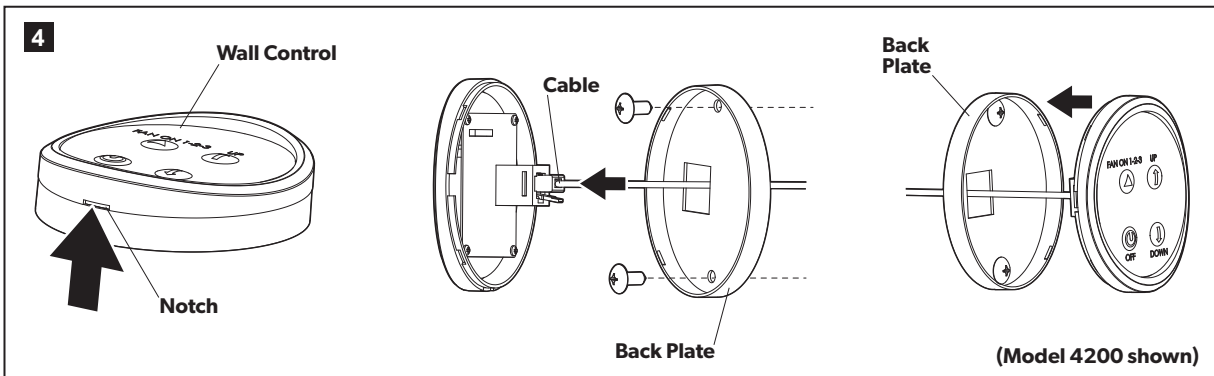
All Fan-tastic Vents are available in a “clamp fan” configuration. The clamp garnish screws into the fan base from inside the RV and trims the ceiling cut-out.

i RV mfg. clamp fans require mounting screws and correct-height garnish, predetermined by a qualified installer and Fan-Tastic Vent.

- Clamp fans use a double-bead of compatible sealant between the fan base mounting flange and the roof (no putty tape, butyl or gaskets are to be used with clamp fans).
- Using the four screws provided, mount the clamp garnish to the ceiling of the RV. Do not overtighten the screws.
- Torque all screws equally. Do not overtighten.

i For rubber roofs, use EPDM-compatible roof sealant.

4.4 Mounting the wall controls (RV mfg. models only)



- Locate the notch on the bottom edge of the controller and use a screwdriver in a twisting motion to remove the back plate.
- Pull the RJ-11 controller cable (in the wall) through the square hole in the back plate (from the backside to the front) and plug it into the front half of the controller.
- Hold the back plate to the desired wall location and secure it with two recommended #8 x 3/8" screws through the two round holes in the back plate.
- Push the front half of the wall controller onto the back plate, being sure to align the connector plug with the square hole, and snap both halves together.

5 OPERATION

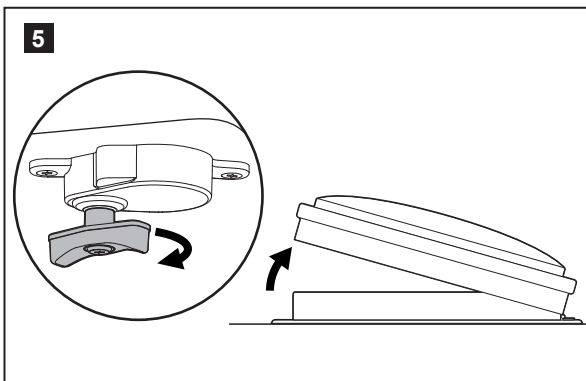
⚠ CAUTION Failure to obey the following instructions could result in injury or property damage:

- WATER DAMAGE/LEAK HAZARD:
 - Do **not** leave the vent lid open and unattended for extended periods of time, or under unusual weather conditions that may result in leakage and serious damage.
 - Do **not** use this product in inclement weather.
- Close all outside vents when using your Fan-Tastic Vent.
- Slightly open the windows on the shaded side of the RV to provide the most comfortable ambient air, even on hot days.

i Direct the airflow by opening a window. Try to position yourself between an open window and the fan for greatest airflow comfort.

i If driving while the vent is open, keep it fully open to avoid fluttering or closing unexpectedly.

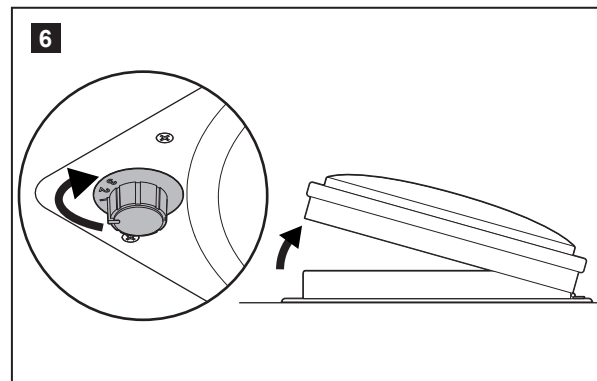
5.1 Manual lift vents



- To manually open or close the lid on your Fan-Tastic Vent, grasp the black hand-knob and turn it in the direction desired.

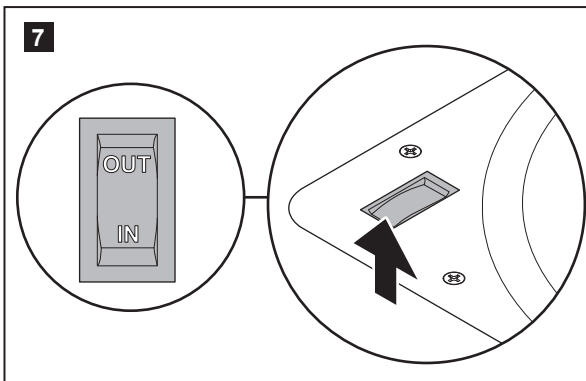
⚠ CAUTION PINCH HAZARD: Do not pull down on the knob. Doing so could damage your fan or cause physical injury.

5.2 Automatic lift vents



- Open the dome approximately 4" or more (the ceiling fan has a built-in safety switch that will not allow the fan motor to operate unless the dome is partially open.)
- Turn the three-speed knob to the desired performance level: 0-OFF, 1-LOW, 2-MEDIUM, 3-HIGH.
- For increased airflow, open the window or door farthest from the vent.

5.3 Operating the reverse switch

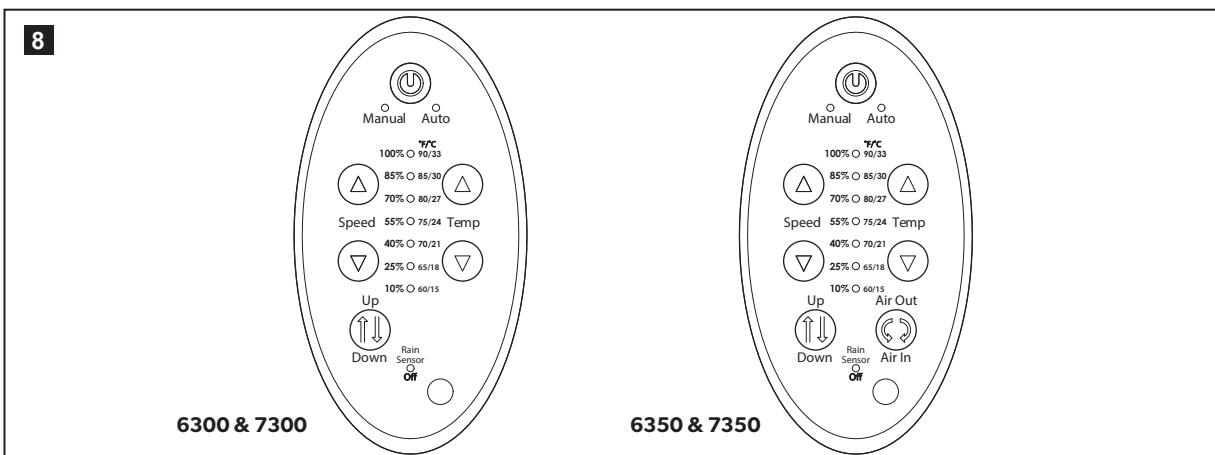


- Move the fan motor switch to the center position to turn the fan OFF. Wait for the fan blades to stop moving.
- Select the IN position on the switch to bring air from the roof area into your coach (pressurizes inside), or select the OUT position to bring air in through any openings into the coach, and expel the air out through the roof.

5.4 Operating the thermostat











- With the lid open, select the desired temperature or comfort level on the thermostat. The fan motor will start and stop automatically as the interior temperature of the coach exceeds or drops below the selected temperature level.

5.5 Model 6300, 6350, 7300, and 7350 premium remote and wall control

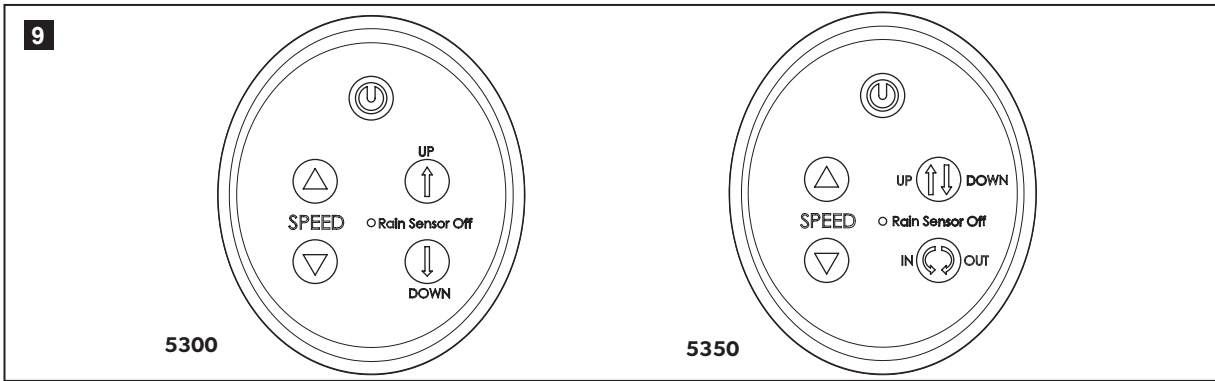


i Remote and wall-control operations are identical.

- To open the dome without running the fan, press the OFF button, then press the dome UP/DOWN button.
- The control will beep twice if a command is not allowed.
- Wireless remote-control models (7300 & 7350) will “sleep” or shut off 30 seconds after the last command, to preserve battery life. To “awaken” the controller, push any button on the controller, and it will show the last temperature and/or speed setting received. If the controller is manually shut off using the ON/OFF button, it will reset.

	Name	Function
	Fan Power ON/OFF	<ul style="list-style-type: none"> Press to turn ON the fan (this will start the fan in Auto mode). Press to turn OFF the fan (this will stop the fan and close the lid).
 Speed 	Fan Speed	<ul style="list-style-type: none"> Press UP to increase the fan speed. Press DOWN to decrease the fan speed. Pressing either button will change fan mode to Manual . These buttons work in Manual mode only. The fan has 13 speeds. Fan speed is indicated on the remote in % from 10% (low speed) to 100% (high speed). An LED will illuminate next to the % of fan speed. If two LEDs are illuminated, then the speed is halfway between the illuminated %. (for example: Both 85% and 100% LEDs are illuminated; the speed is approximately 93%).
 Temp 	Thermostat Temperature Setting: Fahrenheit/ Celsius	<ul style="list-style-type: none"> Press UP to increase the Set Temperature. Press DOWN to decrease the Set Temperature. Pressing either button will change fan mode to Auto . These buttons work in Auto mode only. The fan has 13 temperature settings; the temperature setting is indicated on the remote in degrees (60 °F–90 °F; 15 °C–30 °C). An LED will illuminate next to the degrees setting of the thermostat. If two LEDs are illuminated, the thermostat setting is halfway between the illuminated degrees. For example: If both the 85 °F (29 °C) and 90 °F (32 °C) LEDs are illuminated; the setting is approximately 88 °F (31 °C).
Up  Down	Vent Lid UP/DOWN	<ul style="list-style-type: none"> When the vent lid is closed, press this button once to open the vent lid. When the vent lid is open, press this button once to close the lid. This will operate independently of the fan ON/OFF switch. Pressing this button will not change the fan mode. (The rain sensor can be turned ON or OFF by pressing the button for three seconds.)
Air Out  Air In	Air OUT/IN (Model 6350 & 7350)	<ul style="list-style-type: none"> In either Manual or Auto mode (when the vent lid is open), press this button once to reverse the fan blade direction. Press it again for the opposite direction. Pressing the button will not change the fan mode.
	Rain Sensor LED	<ul style="list-style-type: none"> This LED will illuminate when the rain sensor has been turned OFF. The rain sensor may be turned ON/OFF by pressing the Rain Sensor UP/DOWN button for three seconds.
	Manual Mode LED	<ul style="list-style-type: none"> This LED will illuminate when the controls are in Manual mode. Press the Speed UP/DOWN to enter Manual mode.
	Auto Mode LED	<ul style="list-style-type: none"> This LED will illuminate when the controls are in Auto mode. Press the Temp UP/DOWN to enter Auto mode.

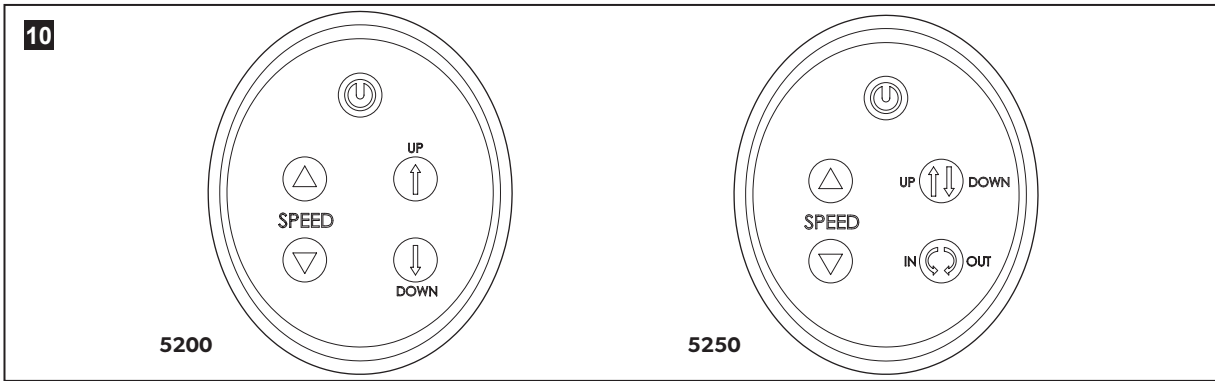
5.6 Model 5300, 5350 wall-mounted controls




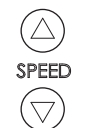

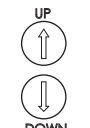

i When the fan is running: Closing the lid by pressing the UP/DOWN button shuts OFF the fan blade. Reopening the lid using the UP/DOWN button will revert the fan blade movement to its previous set speed. Using the ON/OFF button will not do this; the ON/OFF button resets the fan to normal operation.

	Name	Function
	Fan Power ON/OFF	<ul style="list-style-type: none"> • Press to turn ON the fan (this will start the fan on HIGH). • Press to turn OFF the fan (this will stop the fan and close the lid).
	Fan Speed	<ul style="list-style-type: none"> • Press UP to increase the fan speed. • Press DOWN to decrease the fan speed. (The fan has 13 speeds, not including OFF.)
	Vent Lid OPEN/CLOSE (Model 5350)	<ul style="list-style-type: none"> • When the vent lid is closed, press this button once to open the vent lid. • When the vent lid is open, press this button once to close the lid. (The rain sensor can be turned ON or OFF by pressing this button for three seconds.)
	Vent Lid OPEN/CLOSE (Model 5300)	<ul style="list-style-type: none"> • When the vent lid is closed, press the UP button once to open the vent lid. • When the vent lid is open, press the DOWN button once to close the vent lid. (The rain sensor can be turned ON or OFF by pressing this button for three seconds.)
	Air OUT/IN (Model 5300)	<ul style="list-style-type: none"> • When the vent lid is open, press this button once to reverse the fan blade direction; press it again for the opposite direction. Once pressed, the motor will slow and then reverse direction. If the button is pressed again during the reversing cycle, a double-beep will indicate the cycle is in progress. The function can only be changed after the reversing cycle is complete.
	Rain Sensor LED	<ul style="list-style-type: none"> • This LED will illuminate when the rain sensor has been turned OFF at the wall control. • The rain sensor can be turned ON or OFF by pressing the DOWN button for three seconds.

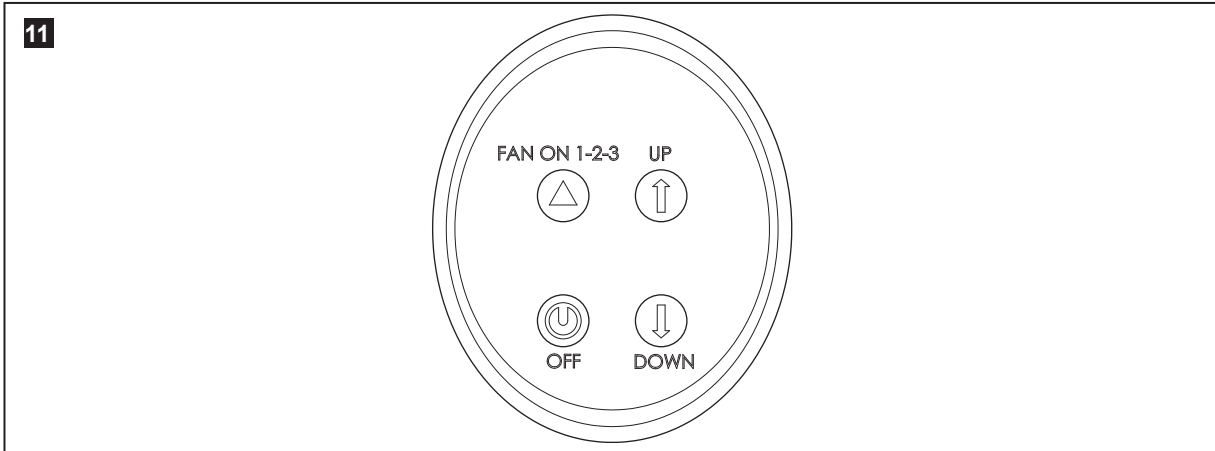
5.7 Model 5200, 5250 RJ-11 wall-mounted controls







i When the fan is running: Closing the lid by using the UP/DOWN button shuts OFF the fan blades. Reopening the lid by using the UP/DOWN button will revert the fan blade movement to its previous set speed. Using the ON/OFF button will not do this; the ON/OFF button resets the fan to normal operation.

	Name	Function
	Fan Power ON/OFF	<ul style="list-style-type: none"> • Press to turn ON the fan (this will start the fan on HIGH). • Press to turn OFF the fan (this will stop the fan and close the lid).
	Fan Speed	<ul style="list-style-type: none"> • Press to increase the fan speed. • Press to decrease the fan speed. (The fan has 13 speeds, not including OFF.)
	Vent Lid OPEN/CLOSE (Model 5250)	<ul style="list-style-type: none"> • When the vent lid is closed, press this button once to open the vent lid. • When the vent lid is open, press this button once to close the lid.
	Vent Lid OPEN/CLOSE (Model 5200)	<ul style="list-style-type: none"> • When the vent lid is closed, press the UP button once to open the lid. • When the vent lid is open, press the DOWN button once to close the lid.
	Air OUT/IN (Model 5250)	<ul style="list-style-type: none"> • When the vent lid is open, press this button once to reverse the fan blade direction; press it again for the opposite direction.

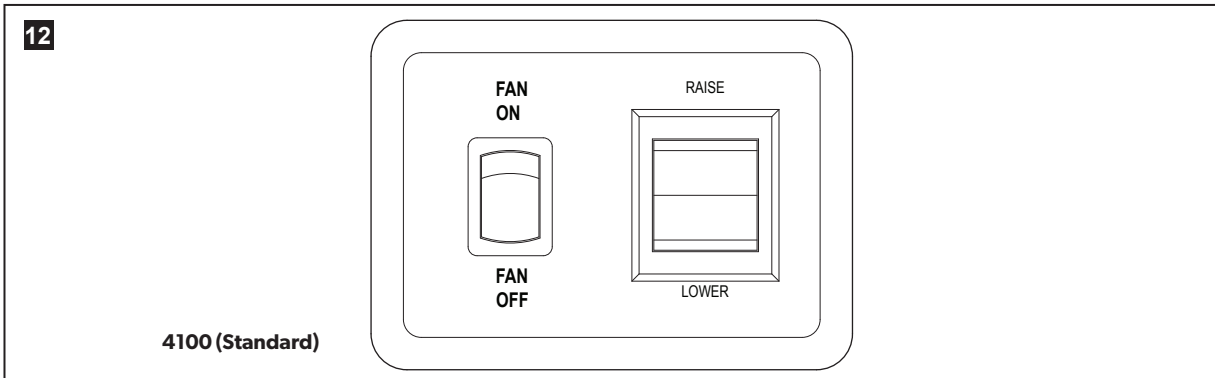
5.8 Model 4200 RJ-11 wall-mounted controls



i When the fan is running: Closing the lid by using the UP/DOWN button shuts the fan blades OFF. Re-opening the lid using the UP/DOWN button will revert the fan speed to its previous set speed. Using the ON/OFF button will not do this; the ON/OFF button resets the fan to normal operation.

	Name	Function
FAN ON 1-2-3 	Fan ON 1-2-3	Press to start the fan. Each press increases the fan speed one level: <ol style="list-style-type: none"> 1. Turns the fan ON and opens the dome at lowest level speed 2. Changes fan to level-2 speed 3. Changes fan to level-3 speed 4. Returns fan to level-1 speed
 OFF	Fan Power OFF	<ul style="list-style-type: none"> • Press to turn the power OFF; this will stop the fan and close the lid.
  DOWN	Vent Lid OPEN/CLOSE	<ul style="list-style-type: none"> • When the vent lid is closed, press this button once to open the lid. • When the vent lid is open, press this button once to close the lid.

5.9 Model 4100, 4150, 4175



- Activate the fan by preselecting 1-LOW, 2-MEDIUM or 3-HIGH, on the fan-blade speed switch.
- On the wall control, press the RAISE/LOWER switch pad. Select the RAISE position and press it until the dome (lid) reaches the desired height, then release the switch pad. At full-open, the dome lift motor will stall; release the switch pad **immediately!** Select the LOWER position and press it until the lid lowers to the desired height, then release the pad. At fully closed, the dome lift motor will stall; release the switch pad **immediately!**

NOTICE DAMAGE HAZARD: Continuing to press the RAISE/LOWER pad after the dome is open or closed will cause damage to the lift system.

- When the fan is equipped with a fan blade motor-reversing switch, preselect either OUT or IN on the switch; the center position is OFF (neutral position). As the dome opens and reaches approximately 4", the fan blade turns on to the preselected speed.
 - To reverse the fan blade motor while the system is in operation, select the center OFF (neutral) position and allow the fan blade to stop completely. Once stopped, select the opposite direction and restart the motor.
- i** OUT (Exhaust mode) pulls fresh air in through a slightly open window or door while expelling hot, stale, dusty air out to the roof area. IN (Intake mode) draws air into the coach from the roof area and effectively pressurizes the coach if all windows, doors and other vents are closed.
- When the fan is equipped with a built-in thermostat, preselect a comfort setting from deep blue to deep red on the thermostat dial (22 °F – 123 °F; –6 °C – 51 °C). The fan motor will turn ON or OFF, based on the interior ambient temperature when compared to the thermostat setting. When the thermostat temperature is "satisfied," the fan motor will turn OFF and the lid will stay open. When the thermostat calls for cooling, the fan blade motor will activate automatically. The lid must be open at least 4" and OUT or IN must be selected (not the center OFF position). The ON/OFF switch on the wall controller next to the RAISE/LOWER switch must be in the ON position before the thermostat can activate the fan blade.

5.10 Model 3300, 3350

- Turn the three-speed knob to the desired speed (0-OFF, 1-LOW, 2-MEDIUM, or 3-HIGH).
- Select UP to raise the dome lid or DOWN to close the lid from the mini-rocker switch located near the lift motor.
- When equipped with a fan blade ON/OFF switch (Model 3300), select ON or OFF. When a fan is equipped with a fan blade motor-reversing switch (Model 3350), preselect either OUT, IN, or the center OFF position on the switch. As the dome opens and reaches approximately 4", the fan blade turns on to its preselected speed and direction. When the lid closes, the fan motor automatically turns OFF. Any time you wish to reverse the fan blade motor while the system is in operation, select the center OFF (neutral) position and allow the fan blade to stop completely. Once stopped, you may safely select the opposite direction to restart the motor.

i OUT (Exhaust mode) pulls clean fresh air in through a slightly open window or door while expelling hot, stale, stuffy air out to the roof area. IN (Intake mode) draws air into the coach from the roof area and effectively pressurizes the coach if all windows, doors and other vents are closed.

- These two models are equipped with a built-in thermostat. Preselect a comfort setting from deep blue to deep red on the thermostat dial (22 °F– 123 °F; –6 °C– 51 °C). The fan motor will turn ON or OFF, based on the interior ambient temperature compared to the thermostat setting. When the thermostat temperature is "satisfied," the fan motor will turn OFF and the lid will stay open. When the thermostat calls for cooling, the fan blade motor automatically activates. The lid must be open at least 4" and OUT or IN must be selected and not the center OFF position (Model 3350). The ON/OFF switch on the fan must be in the ON position (Model 3300) before the thermostat can activate the fan blade.
- Both models are equipped with a rain sensor. When the lid is open and moisture contacts the sensor, the lid closes and disengages the fan blade motor. When the rain sensor dries, it will not automatically re-open the lid. Manually opening the lid by using the lift-motor knob will bypass the rain sensor with fan operation, reverting to the setting prior to the sensor's activation. When the rain sensor has been overridden by manually opening the lid, the rain sensor will become active again once it has dried.

5.11 Model 4201, 4251, 4301, 4351

- Turn the three-speed knob to the desired performance level (0-OFF, 1-LOW, 2-MEDIUM or 3-HIGH). This will activate the fan.
- Select UP to raise the dome lid or DOWN to lower the lid from the remote wall-mounted switch.
- When equipped with a fan blade ON/OFF Switch (Model 4201/4301), select ON or OFF. When a fan is equipped with a fan blade motor-reversing switch (Model 4251/4351), preselect either OUT, IN, or the center OFF (neutral) position on the switch. As the dome opens and reaches approximately 4", the fan blade turns on to a preselected speed and direction. When the lid closes, the fan blade motor automatically turns OFF. Anytime you reverse the fan blades while the system is in operation, select the center OFF (neutral) position and allow the fan blades to stop completely. Once stopped, you may safely select the opposite direction to restart the motor.

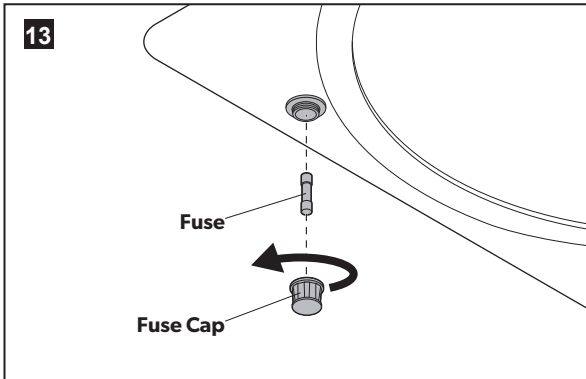
i OUT)Exhaust mode) pulls fresh air in through a slightly open window or door while expelling hot, stale, stuffy air out to the roof area. IN (Intake mode) draws air into the coach from the roof area and effectively pressurizes the coach if all windows, doors and other vents are closed.



- Both models 4301 & 4351 equipped with a rain sensor. When the lid is open and moisture contacts the sensor, the lid closes and disengages the fan blade motor. When the rain sensor dries, it will not automatically re-open the lid. Manually opening the lid by using the lift-motor knob will bypass the rain sensor with fan operation, reverting to the setting prior to the sensor's activation. When the rain sensor has been overridden by manually opening the lid, the rain sensor will become active again once it has dried.

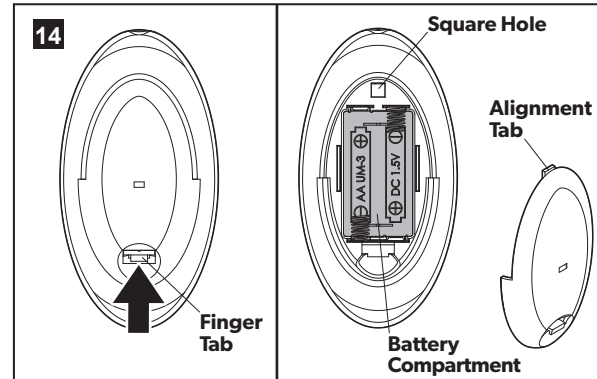
6 MAINTENANCE

6.1 Replacing the fuse



- Locate the black cap on the face of the screen assembly. Twist the cap in a counter-clockwise direction (from right to left) 1/4 to 1/2 turn, and gently pull down on the cap. The cap should come free with the fuse attached to the backside.
- Inspect the fuse to see if the wire inside the glass is broken and replace if necessary. Be sure to use only a 4 amp "slo-blo" fuse.
- Place one end of the new fuse into the backside of the fuse-holder cap and gently push the other end of the fuse all the way up inside the fuse holder.
- Screw the black fuse cap back into place by turning in a clockwise direction (left to right) until snug (1/4 to 1/2 turn), and release.

6.2 Replacing batteries in the 7300/7350 Remote Control



- To remove the battery compartment cover located on the rear of the remote, pull back on the finger tab and lift.
- Match the (+) and (-) markings on the batteries to the (+) and (-) markings inside the battery compartment.
- To close the battery compartment cover, place the alignment tab located opposite the finger tab into the square hole on the back of the remote. Push the cover down until the finger tab clicks into place.

6.3 Fixing a stuck lid

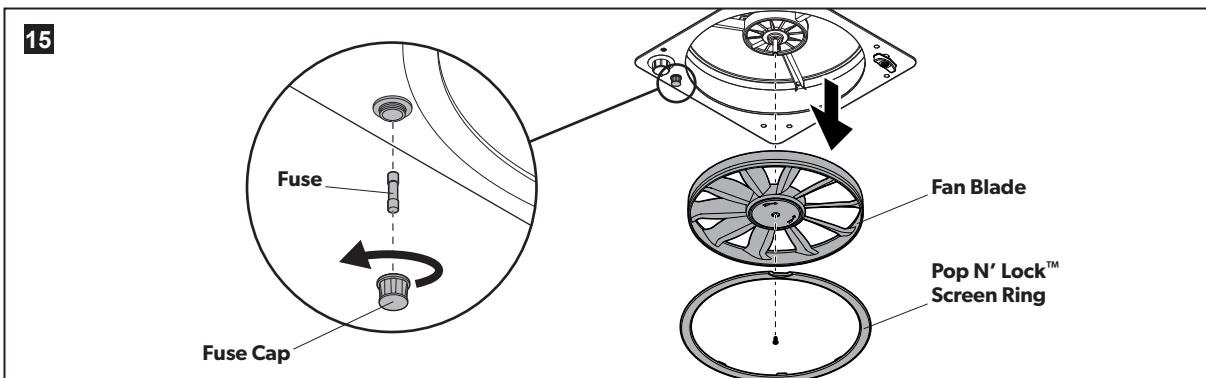
NOTICE DAMAGE HAZARD: If the EPDM rubber dome seal is damaged or torn, contact Dometic for a replacement.

- Open the dome (lid) all the way.
- Place a liberal amount of denatured or rubbing alcohol on a clean rag and clean the underside of the lid and the EPDM rubber seal.
- If available, apply a water-based (not petroleum-based) protectant to the inside of the dome where the dome and seal meet. Allow the protectant to dry and buff the lid with a soft cloth to a high sheen.
- Use a clean rag, paper towel or foam trim brush to apply an even coating of 100% silicone to the entire top surface of the EPDM rubber dome seal to prevent it from sticking to the lid.



Wipe excess fluid off hands and wash thoroughly with soap and water.

6.4 Cleaning the fan



- Remove the fuse. Remove the Pop N' Lock™ screen ring by grasping the finger tab with one hand and pulling straight down. Use your free hand to brace against the screen assembly (control panel) to prevent breaking the Pop N' Lock screen. Removal of the Pop N' Lock may be difficult at first, but will get easier with repeated removal.
 - Use one hand to hold the fan blade to prevent it from turning and remove the Phillips-head screw from the center hub face of the fan blade. With the fan-blade screw removed, grasp the fan blade with two hands on opposite sides (for example, the 3:00 and 9:00 positions) and pull down firmly. It may be necessary to wiggle the fan blade up-and-down and side-to-side until it slides off the motor shaft.
 - Clean the screen insert (Pop N' Lock) and fan blade with window cleaner or non-abrasive dish soap and warm water. You may also place the screen insert and fan blade in the top rack of an automatic dishwasher.
- i** Optional: Once the screen and blade are clean and dry, wipe or spray a water-based (not petroleum-based) protectant on the screen and blade, and buff to high gloss. This minimizes dust and dirt build-up and eases future cleaning.
- Re-assemble the fan by reversing the appropriate steps above.

LIMITED WARRANTY

LIMITED WARRANTY AVAILABLE AT WWW.DOMETIC.COM/WARRANTY.

IF YOU HAVE QUESTIONS OR TO OBTAIN A COPY OF THE LIMITED WARRANTY FREE OF CHARGE, CONTACT:

DOMETIC CORPORATION
CUSTOMER SUPPORT CENTER
1120 NORTH MAIN STREET
ELKHART, INDIANA, USA 46514
+1-866-544-4881 OPT 4